



POWERJOE™

CORDLESS SCREWDRIVER

4-VOLT MAX | LED LIGHT | BIT KIT | FLEXIBLE BIT EXTENDER

OPERATOR'S MANUAL

A Division of Snow Joe®, LLC

Model PJ4SDFLX-RM

Form No. SJ-PJ4SDFLX-RM-880E-M-V1

THANKS FOR YOUR PURCHASE OF A REMANUFACTURED PRODUCT.

To make sure you get the most out of your product, be sure to register online at

snowjoe.com

to enjoy full product support.

PASTE UPC LABEL HERE



POWERJOE™

CORDLESS SCREWDRIVER

4-VOLT MAX | LED LIGHT | BIT KIT | FLEXIBLE BIT EXTENDER

OPERATOR'S MANUAL

A Division of Snow Joe®, LLC

Model PJ4SDFLX-RM

Form No. SJ-PJ4SDFLX-RM-880E-M-V1

IMPORTANT!

Safety Instructions

All Operators Must Read These Instructions Before Use

Always follow these safety guidelines. Failure to do so may result in serious bodily injury or death.

General Safety

⚠️ WARNING! When using the screwdriver basic safety precautions should always be followed to reduce the risk of fire, electric shock, and personal injury. These include:

Work Area Safety

1. **Keep work area clean and well-lit** – Cluttered, dark areas invite accidents.
2. **Keep children, bystanders, and pets away** – All spectators, including pets, should be kept a safe distance away from the work area.
3. **Do not operate power tools in explosive atmospheres** – Such as in the presence of flammable liquids, gases, or dust. Power tools create sparks which may ignite the dust or fumes.

Personal Safety

1. **Stay alert** – Watch what you are doing. Use common sense. Do not operate the screwdriver when you are tired, or under the influence of alc ohol or drugs.
2. **Dress properly** – Do not wear loose clothing or jewelry. They can get caught in moving parts. Loose clothes, jewelry, or long hair can be caught in moving parts.
3. **Avoid unintentional starting** – Do not carry the screwdriver with your finger on the trigger. Make sure the switch is off before connecting the screwdriver to power source.
4. **Do not overreach** – Keep proper footing and balance at all times. Proper footing and balance enable better control of the cordless screwdriver in unexpected situations.
5. **Use personal protective equipment** – Always wear eye protection. Protective equipment such as dusk mask, non-skid safety shoes, hard hat, or hearing protection used for appropriate conditions will reduce personal injuries.

6. **Remove accessories or attachments before turning screwdriver on** – An accessory that is left attached to a rotating part of the tool may result in personal injury.
7. **If devices are provided for the connection of dust extraction and collection facilities, ensure these are connected and properly used** – Use of dust collection can reduce dust-related hazards.

Tool Use and Care

1. **Do not force the tool** – It will perform better with less likelihood of personal or mechanical injury if it is used at the rate for which it was designed.
2. **Do not use screwdriver if switch does not turn on or off** – The screwdriver that cannot be controlled with the switch is dangerous and must be repaired.
3. **Disconnect the plug from the power source and/or battery pack from the screwdriver before making any adjustments, changing accessories, or storing the screwdriver** – Such preventive safety measures reduce risk of starting the power tool accidentally.
4. **Store idle screwdriver out of reach of children or other untrained persons** – Screwdrivers are dangerous in the hands of untrained users.
5. **Maintain cordless screwdriver** – Check for misalignment or binding of moving parts, breakage of parts, and any other condition that may affect the screwdriver's operation. If damaged, have the screwdriver serviced before using. Many accidents are caused by poorly maintained tools.
6. **Use the screwdriver, accessories and screwdriver bits etc. in accordance with these instructions, taking into account the working conditions and the work to be performed** – Use of the screwdriver for operations different from those intended could result in a hazardous situation.

Battery Tool Use and Care

1. **Recharge only with the charger specified by the manufacturer** – A charger that is suitable for one type of battery pack may create a risk of fire when used with another battery pack.
2. **Charge internal battery at ambient temperatures between 50°F – 104°F (10°C – 40°C).**
3. **Under abusive conditions, liquid may be ejected from the battery; avoid contact. If contact accidentally occurs, flush with water. If liquid contacts eyes, additionally seek medical help** – Liquid ejected from the battery may cause irritation or burns.

Service

1. **If your power tool requires service, contact an authorized Snow Joe® + Sun Joe® dealer or call the Snow Joe® + Sun Joe® customer service center at 1-866-SNOWJOE (1-866-766-9563).** Only identical replacement parts should be utilized for repairs. This will ensure that the safety of the power tool is maintained.
2. **If the battery charger cable is damaged, it must be immediately replaced to avoid a hazard.** Contact the Snow Joe® + Sun Joe® customer service center at 1-866-SNOWJOE (1-866-766-9563) for assistance.

Safety Rules for Cordless Screwdriver

1. **Hold screwdriver by insulated gripping surfaces when performing an operation where the screwdriver may contact hidden wiring or its own cord** – Contact with a "live wire" will make exposed metal parts of the tool "live" and shock the operator.
2. **Use clamps or another practical way to secure and support the work piece to a stable platform.** Holding the work by hand or against your body leaves it unstable and may lead to loss of control.
3. **Keep your hair, clothing, and gloves away from air vents.** Air vents often cover moving parts in which these items can be caught.
4. Make sure approved eye protection is being worn and properly adjusted and secured at all times the screwdriver is being used. There is a possibility that small pieces of metal could shear off from over-tightened screws while using the tool.
5. Keep children at a safe distance while using the cordless screwdriver. Distractions can cause inadvertent misuse resulting in possible injury to children or to the user.
6. Use only screwdriver bits that are designed for use with this screwdriver.
7. Do not plug the AC charger into an outlet where it can be exposed to water. Do not lay the screwdriver in or near water while it is plugged into the AC charger. Failure to comply with this warning can result in severe electrical shock or severe burns to anyone who touches the charger or the screwdriver.

8. Use only the AC charger that came with the cordless screwdriver.
9. Do not attempt to charge the screwdriver if the power cord is broken or frayed. Always store the charger in a clean dry location until it is needed.
10. Before use, carefully check the screwdriver to determine whether it will operate and perform its intended function.
11. Check for misalignment or binding of moving parts, breakage of parts, and any other condition that may affect the screwdriver's operation. Do not use the tool if you find damaged or missing parts.
12. Do not use the screwdriver if forward + reverse selector switch does not work.
13. Never attempt any repairs yourself. It is recommended that all repair or replacement for the tool shall be performed by a qualified service technician.
14. Do not carry the screwdriver with your finger on the forward + reverse selector switch.
15. Do not abuse battery charger cord.
16. Never carry the charger by its cord or pull the cord to disconnect it from the socket.
17. Keep the cord away from heat, oil, and sharp edges.
18. **DO NOT** store or use the tool in locations where the temperature may reach or exceed 105 °F (40.5 °C). Dangerous storing locations include outdoor sheds or metal buildings in the summer.
19. When not in use, store the screwdriver and charger in a dry, locked or high place out of reach of children.
20. Keep handles and switches dry, clean and free from oil and grease.

Battery + Charger Safety Warnings

This manual contains important safety and operating instructions for your battery and charger.

1. Before using the charger, thoroughly read all instructions and cautionary markings on the screwdriver.

⚠ WARNING! If the screwdriver housing is cracked or damaged, do not insert the charger plug into the power tool, or plug the charging adapter into the mains outlet. There is a danger of electric shock or electrocution.

2. This charger is **ONLY** intended to charge this rechargeable battery. Any other use poses a risk of fire, electric shock or electrocution.
3. Do not place any object on top of the charger or place the charger on a soft surface that may result in excessive internal heat. Keep the charger away from any heat source.
4. To reduce the risk of damaging the electric plug and cord, pull the plug, not the cord, when disconnecting the charger from the electric outlet.

5. Make sure the battery charging cable is located in a safe place so that it will not be stepped on, tripped over or otherwise subjected to damage or stress.
6. An extension cord should not be used unless absolutely necessary. Using an improper extension cord poses a risk of fire, electric shock or electrocution.
7. Do not operate the charger if it has received a sharp blow or has become damaged in any way. Contact the Snow Joe® + Sun Joe® customer service center at 1-866-SNOWJOE (1-866-766-9563) before continuing use.
8. Do not disassemble the charger. If the charger requires service or repair, contact an authorized Snow Joe® + Sun Joe® dealer or call the Snow Joe® + Sun Joe® customer service center at 1-866-SNOWJOE (1-866-766-9563). Incorrect reassembly poses a risk of electric shock, electrocution or fire.
9. To reduce the risk of electric shock, unplug the charger from the outlet before cleaning the tool.
10. Never attempt to connect two (2) chargers together.
11. The charger is designed to operate on standard household electrical power (120 V). Do not attempt to use it with any other voltage!

NOTE: The integrated battery is not fully charged out of the carton. Read the safety instructions and then follow the charging notes and procedures.

12. Let the tool charge initially for 5 hours.








⚠ WARNING! Do not use the tool while it is connected to the charger.

⚠ WARNING! Fire Hazard. When disconnecting the charger from the tool, be sure to unplug the charger from the outlet first, then disconnect the charger cord from the tool.

13. The longest life and best performance can be obtained if the integrated battery is charged when the air temperature is between 64.4°F – 75.2°F (18°C – 24°C). Do not charge the battery pack when the air temperature falls below 50°F (10°C) or above 104°F (40°C). Following these safety measures will prevent damage to the battery pack.
14. Do not incinerate the integrated battery even if it is seriously damaged or completely worn out. The battery can explode in a fire.

Safety Symbols

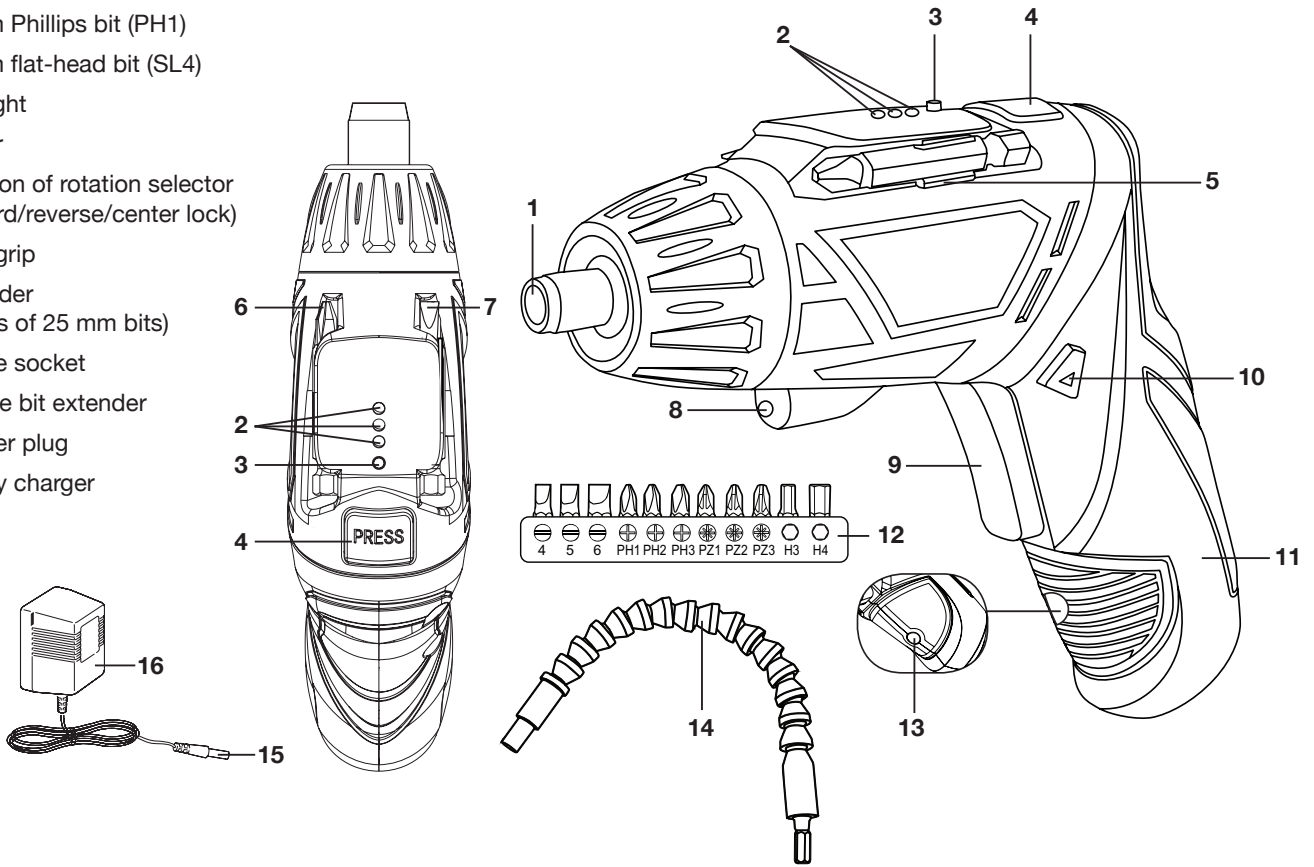
The following table depicts and describes safety symbols that may appear on this product. Read, understand, and follow all instructions on the machine before attempting to assemble and operate.

Symbols	Descriptions	Symbols	Descriptions
	READ THE OPERATOR'S MANUAL(S) – Read, understand, and follow all instructions in the user manual(s) before attempting to assemble and operate.		SAFETY ALERT – Indicates a precaution, a warning, or a danger.
	WARNING! Do not expose the unit to rain or wet conditions. Keep dry.		WEAR EYE PROTECTION – For protection against injury, wear safety goggles.
	WET CONDITIONS ALERT – Do not expose to rain or use in damp locations.		Indoor use only. Only use battery charger indoors.
	DISPOSAL – Waste produced by electrical machine items should not be handled like normal household rubbish. Please recycle where recycle facilities exist. Check with your local authority or retailer for recycling advice.		

Know Your Cordless Screwdriver

Read the owner's manual and safety instructions carefully before operating the cordless screwdriver. Compare the illustration below to the cordless screwdriver in order to familiarize yourself with the location of the various controls and adjustments. Save this manual for future reference.

1. Bit collet
2. Charging indicator light
3. Push button for battery indicator
4. Pivot release button
5. Bit storage
6. 50 mm Phillips bit (PH1)
7. 50 mm flat-head bit (SL4)
8. LED light
9. Trigger
10. Direction of rotation selector (forward/reverse/center lock)
11. Hand grip
12. Bit holder (11 pcs of 25 mm bits)
13. Charge socket
14. Flexible bit extender
15. Charger plug
16. Battery charger



Technical Data

Charger Input	100/240 V AC, 50/60 Hz, 0.2 A	Torque	35.4 in-lbs
Charger Output	5.5 V DC --- 400 mA	Bit Size	(25 mm) SL4, SL5, SL6, PH1, PH2, PH3, PZ1, PZ2, PZ3, H3, H4 and (50 mm) SL4, PH1
Charging Time Max	5 hours	Flexible Bit Extender Length	11.8 in. (30 cm)
Battery Voltage*	4 V D.C.	Chuck Size	0.25 in. (6.3 mm)
Battery Capacity	2.0 Ah	LED Light	0.45 W
Battery Type	Lithium-ion	Selector Settings	Forward + reverse
Battery Run Time Max	30 mins	Weight	0.8 lbs (0.38 kg)
No Load Speed	230 rpm		

*Initial no-load voltage, when fully charged, peaks at 4.2 volts; nominal voltage under typical load is 3.6 volts.

Unpacking

Carton Contents

- Cordless screwdriver
- 11 pcs of 25 mm driver bits (with bit holder)
- 50 mm Phillips bit
- 50 mm flat-head bit
- Flexible bit extender
- Battery charger
- Manual with registration card

1. Carefully remove the cordless screwdriver and check to see that all of the above items are supplied.
2. Inspect the product carefully to make sure no breakage or damage occurred during shipping. If you find damaged or missing parts, DO NOT return the unit to the store. Please call the Snow Joe® + Sun Joe® customer service center at 1-866-SNOWJOE (1-866-766-9563).

NOTE: Do not discard the shipping carton and packaging material until you are ready to use your new cordless screwdriver. The packaging is made of recyclable materials. Properly dispose of these materials in accordance with local regulations.

IMPORTANT! The equipment and packaging material are not toys. Do not let children play with plastic bags, foils, or small parts. These items can be swallowed and pose a suffocation risk!

Before Using

⚠WARNING! Before first use, the battery requires at least 5 hours charge time to be fully charged. Recharge for 3-5 hours again before resuming operation.

NOTE: The charge level indicator LED light will illuminate red when the charger is plugged in and is charging the screwdriver. When the battery is fully charged, the charging process stops and the charging indicator light will automatically turn OFF.

Charging Procedure

⚠WARNING! The battery charger supplied matches the lithium-ion battery installed in the tool. Do not use other battery chargers.

To reduce the risk of electric shock, do not allow water to flow into the charger's AC/DC plug.

⚠WARNING! Continued and excessive overuse of the ON/OFF trigger switch can permanently damage the lithium-ion battery.

The charging process starts as soon as the charger is plugged into both the proper electrical outlet and the tool.

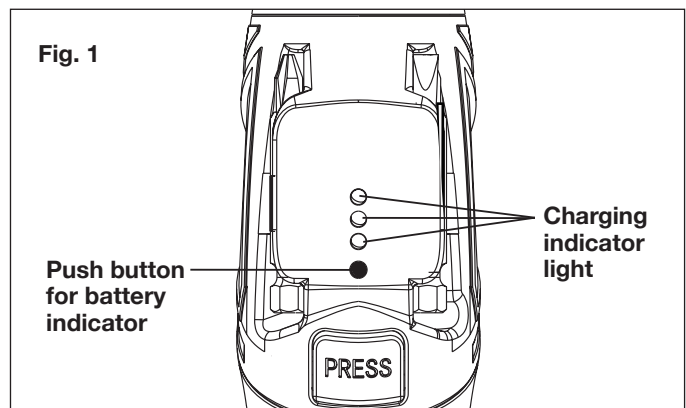
- During the charging procedure, the handle of the tool will feel slightly warm to the touch. This is normal.

- When no further use is planned for an extended period of time, disconnect the battery charger from the outlet and the unit.
- Do not use the tool during the charging procedure.

Battery Charge Level Indicator

The screwdriver is equipped with a push button for checking the charge level. Simply press the push button to read off the battery charge level from the LEDs of the battery indicator (Fig. 1):

- **(Red, Yellow, Green)** All 3 level monitoring LEDs are lit: Battery is at full capacity.
- **(Red & Yellow)** 2 level monitoring LEDs are lit: Battery is at 70% capacity and requires charging soon.
- **(Red)** 1 level monitoring LED is lit: Battery is at 30% capacity and requires charging.



Lights	Colors	Light Indicators
● ● ●	Red, yellow, green	Full power
● ●	Red & yellow	70% power
●	Red	30% power

Battery Charging

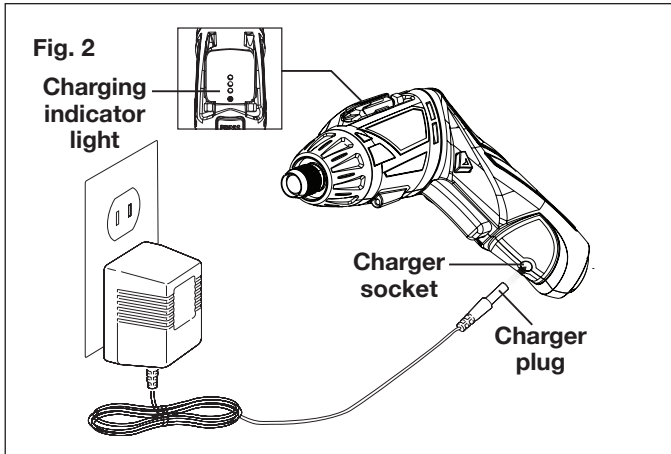
The length of service between each charging varies depending on the type of work you are doing. The battery in this screwdriver has been designed to provide maximum trouble-free life. However, like all batteries, it will eventually wear out. To obtain the longest possible battery life, we suggest the following:

- Store and charge your screwdriver in a cool area. Temperatures above or below normal room temperature will shorten battery life.
- Never store the screwdriver with the battery in a discharged condition. Recharge the unit immediately after it is discharged.
- All batteries gradually lose their charge. The higher the temperature is, the faster they lose their charge. If you store your screwdriver for long periods of time without using it, recharge the battery every 6 months. This will extend battery life.

NOTE: The screwdriver has been shipped in a low charge condition and should be fully charged before use.

1. Plug the charger adapter into an appropriate AC power outlet. Connect the AC adapter charger plug into the charging socket of the screwdriver (Fig. 2).

NOTE: The charge level indicator LED light will illuminate red when the charger is plugged in and is charging the screwdriver.

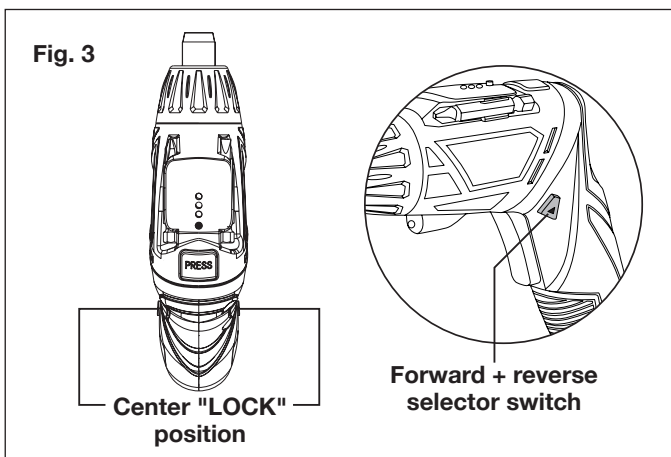


2. The battery will take approximately 3 hours to charge. Charging may take up to 5 hours due to the level of charge left in the battery and the ambient temperature.

NOTE: When the battery is fully charged, the charging process stops and the charging indicator light will automatically turn OFF.

Assembly

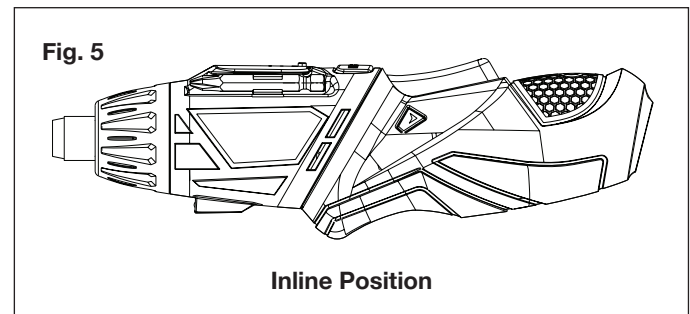
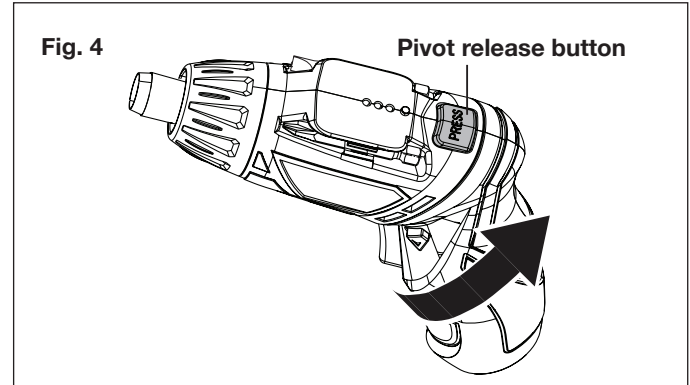
- Before inserting the bit, make sure the forward + reverse selector switch is in the center "LOCK" position to prevent accidental starts that may result in injury (Fig. 3).
- When removing the bit from the tool, avoid contact with skin and use proper protection gloves when grasping the bit. Bits may be hot after prolonged use.



Pivoting Head

The head of the tool can be pivoted for optimum versatility.

1. Press the pivot release button to rotate the tool head to the inline position (Figs. 4 & 5).
2. Release the button.

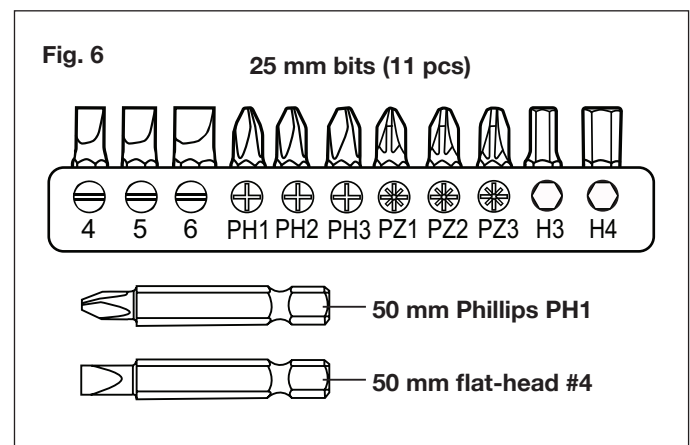


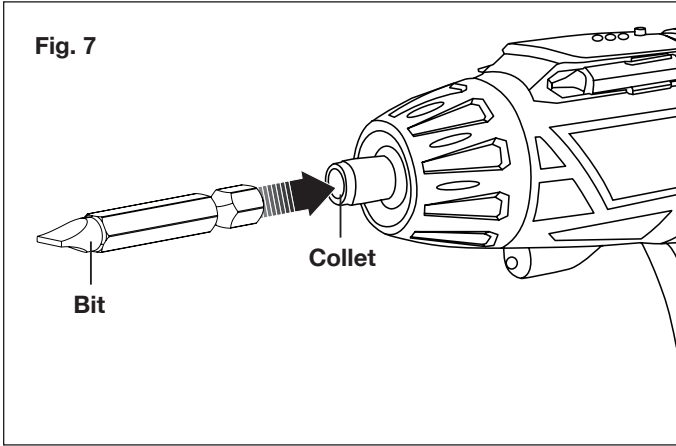
⚠ WARNING! Check to make sure tool handle is locked after pressing pivot release button and changing screwdriver positions.

Operation

Inserting + Removing Screwdriver Bits

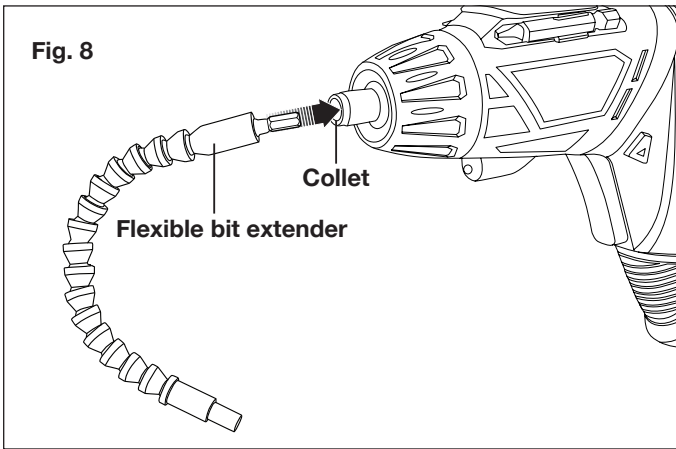
1. Position the forward + reverse selector switch to the center "LOCK" position (Fig. 3).
2. Select the driving bit best suited for the job and insert it into the cavity in the bit collet (Figs. 6 & 7).



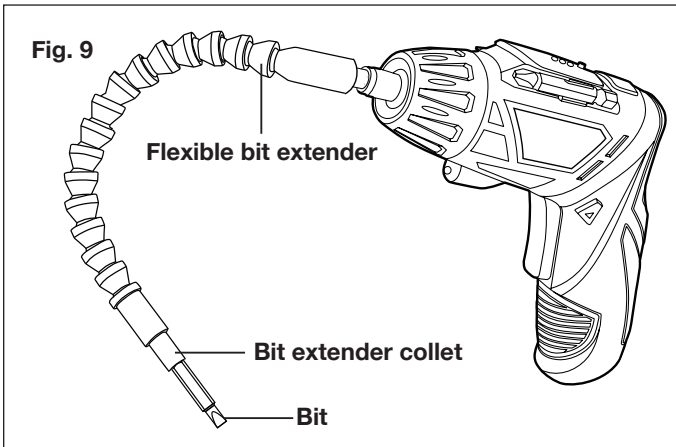


3. To remove the bit, pull it straight out.
4. For bit tips, use flexible bit extender. Insert the flexible bit extender into the cavity in the bit collet (Fig 8).

NOTE: Only hex end bits will fit in bit collet.



5. Select the driving bit best suited for the job and insert it into the bit extender collet (Fig. 9).



!WARNING! Do not use screwdriver as a pry bar in any position.

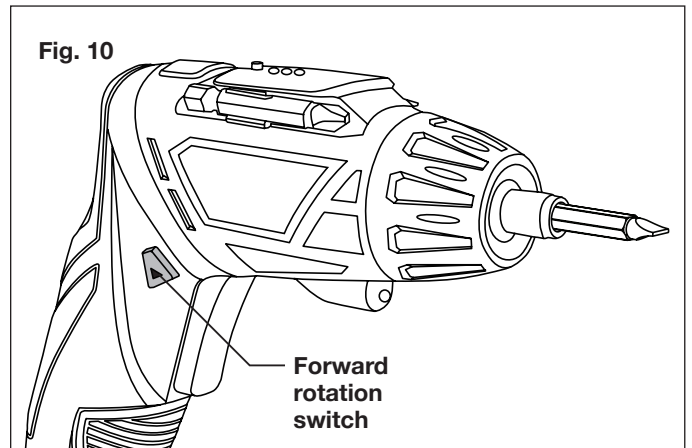
!WARNING! To avoid screwdriver being turned on accidentally, do not carry in your pocket.

Selecting the Direction of Rotation

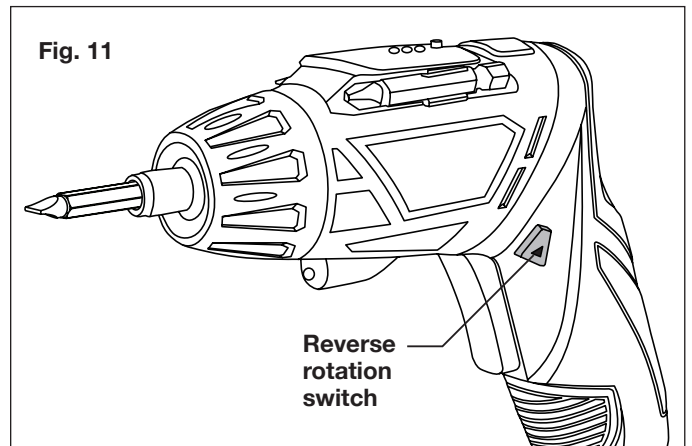
!WARNING! Be sure the trigger switch is released when changing the position of the forward + reverse selector switch. Always store the tool in the locked/off position.

NOTE: Always check the direction of the cordless screwdriver rotation before use.

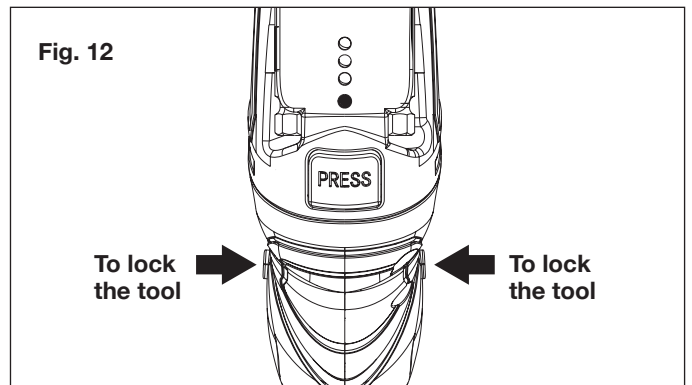
1. For driving fasteners, select forward rotation. Press the forward selector switch from right to left flat against the cordless screwdriver (Fig. 10).



2. For removing fasteners, select reverse rotation. Press the reverse selector switch in the opposite direction (button pushed to the right) (Fig. 11).



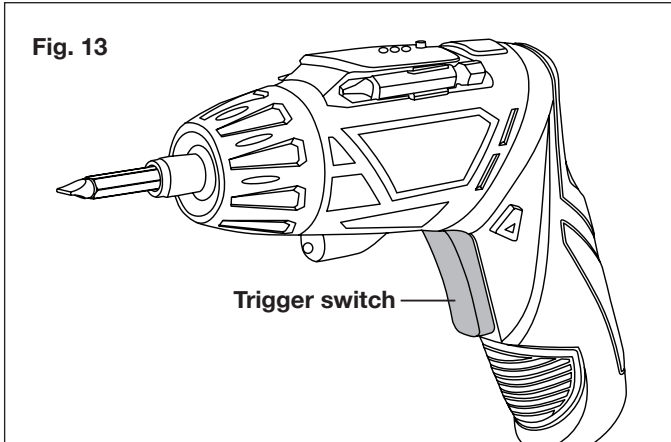
3. The center position locks the tool (Fig. 12).



Starting + Stopping

⚠WARNING! Be sure the trigger switch is released when changing the position of the forward + reverse selector switch. Always store the tool in the locked/off position.

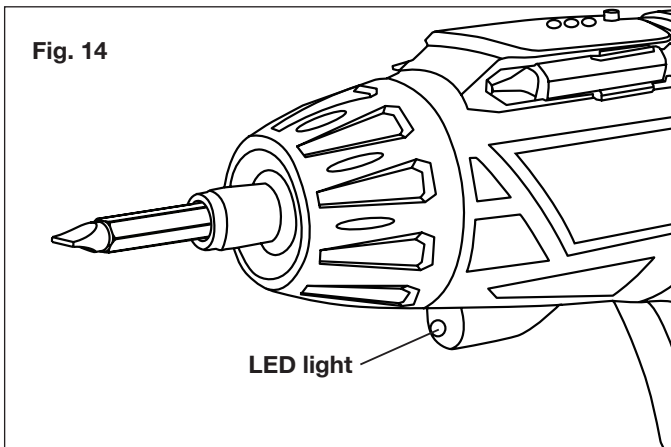
1. To start the cordless screwdriver, press the trigger switch (Fig. 13).



2. Release the trigger switch to stop (Fig. 13).

LED Light

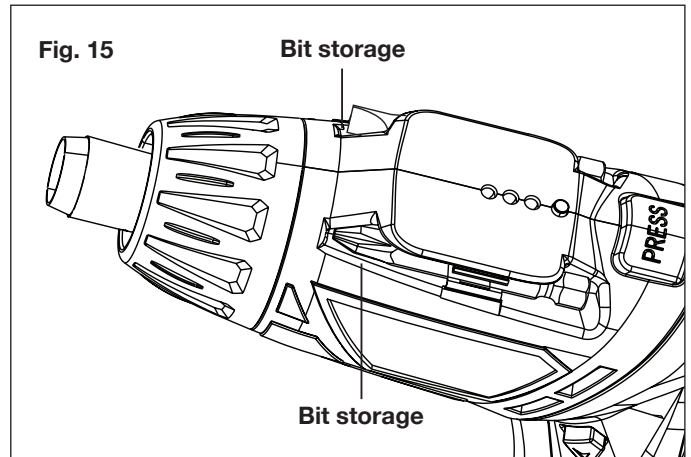
The cordless screwdriver is equipped with an LED light to provide additional lighting for operation in low light conditions. The LED light will turn on when the trigger switch is pressed (Fig. 14). The light will go off when the trigger is released.



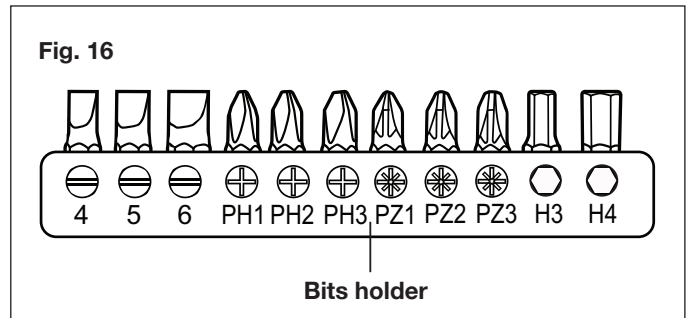
Storage

Bits Storage

1. 50 mm bits provided with the screwdriver can be placed in the storage area located on both sides (Fig. 15).



2. 25 mm bits provided with the screwdriver can be placed in the bits holder (Fig. 16).



Cleaning + Maintenance

⚠WARNING! To avoid accidents, always disconnect the tool and/or charger from the power supply before cleaning. Use only mild soap and damp cloth to clean the tool. Never let any liquid get inside the tool; never immerse any part of the tool into liquid.

Ventilation openings and trigger switch must be kept clean and free of foreign matter. Do not attempt to clean by inserting pointed objects through opening.

⚠CAUTION! Certain cleaning agents and solvents damage plastic parts. Some of these are: gasoline, carbon tetrachloride, chlorinated cleaning solvents, ammonia and household detergents that contain ammonia.

⚠WARNING! No user serviceable parts inside. Preventive maintenance performed by unauthorized personnel may result in misplacing of internal wires and components which could cause serious hazard.

Battery Caution + Disposal

Disposal

Should your appliance need replacement after extended use, do not dispose of it with the household refuse, but in an environmentally safe way.



Waste produced by electrical machine items should not be handled like normal household rubbish. Please recycle where recycle facilities exist. Check with your local authority or retailer for recycling advice.

Always dispose of your battery pack according to federal, state, and local regulations. Contact a recycling agency in your area for recycling locations.

⚠ CAUTION! Even discharged battery packs contain some energy. Before disposing, use electrical tape to cover the terminals to prevent the battery pack from shorting, which could cause a fire or explosion.

⚠ WARNING! To reduce the risk of injury or explosion, never burn or incinerate a battery pack even if it is damaged, dead, or completely discharged. When burned, toxic fumes and materials are emitted into the surrounding atmosphere.

1. Batteries vary according to device. Consult your manual for specific information.
2. Install only new batteries of the same type in your product (where applicable).
3. Failure to insert batteries in the correct polarity, as indicated in the battery compartment or manual, may shorten the life of the batteries or cause batteries to leak.
4. Do not mix old and new batteries.
5. Do not mix Alkaline, Standard (Carbon-Zinc), or Rechargeable (Nickel Cadmium, Nickel Metal Hydride, or Lithium-Ion) batteries.
6. Do not dispose of batteries in fire. The cell of the battery may explode.
7. Batteries should be recycled or disposed of as per state and local guidelines.

Service + Support

- Screwdriver service must be performed only by qualified repair personnel. Service or maintenance performed by unqualified personnel may result in a risk of injury.
- When servicing the screwdriver, use only identical replacement parts. Follow instructions in the cleaning and maintenance section of this manual. Use of unauthorized parts or failure to follow maintenance instructions may create a risk of shock or injury.
- If your Power Joe® PJ4SDFLX-RM cordless screwdriver requires service or maintenance, please call the Snow Joe® + Sun Joe® customer service center at 1-866-SNOWJOE (1-866-766-9563).

Model + Serial Numbers

When contacting the company or reordering parts, you will need to provide the model and serial numbers of your product. These are found on the decal affixed to the housing or handle of your cordless screwdriver. Copy these numbers into the space provided below.

Record the following numbers from the housing or handle of your new product:	
Model #:	
P J 4 S D F L X - R M	
Serial #:	

PJ4SDFLX-CHRG

Federal Communications Commission (FCC)

⚠ WARNING! Any changes or modifications to this unit not expressly approved by the party responsible for compliance could void the user's authority to operate the equipment.

Class B device:

NOTE: This equipment has been tested and found to comply with the limits for a Class B digital device, pursuant to part 15 of the FCC Rules.

These limits are designed to provide reasonable protection against harmful interference in a residential installation.

This equipment generates, uses and can radiate radio frequency energy and, if not installed and used in accordance with the instructions, may cause harmful interference to radio communications.

However, there is no guarantee that interference will not occur in a particular installation.

If this equipment does cause harmful interference to radio or television reception, which can be determined by turning the equipment off and on, the user is encouraged to try to correct the interference by one or more of the following measures:

- Reorient or relocate the receiving antenna.
- Increase the separation between the equipment and receiver.
- Connect the equipment into an outlet on a circuit different from that to which the receiver is connected.
- Consult the dealer or an experienced radio/TV technician for help.

Troubleshooting

⚠ WARNING! Only perform the steps described within these instructions!

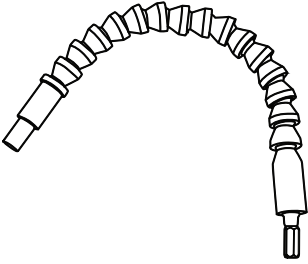
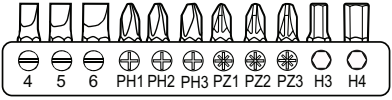
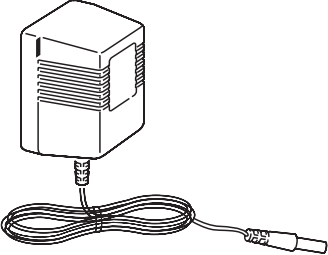
All further inspection, maintenance and repair work must be performed by an authorized service center or a similarly qualified specialist if you cannot solve the problem yourself!

Suspected malfunctions, disturbances or damages are often due to causes that the user can fix themselves. Follow the below troubleshooting guidelines when checking the unit. In most cases, the problem can be resolved quickly and the screwdriver can be restored to proper working order.

Problem	Possible Cause	Solution
Tool will not charge.	<ul style="list-style-type: none">a) Charger not plugged into a working outlet.b) Surrounding air temperature too hot or too cold.	<ul style="list-style-type: none">a) Plug charger into a working outlet.b) Check to see if receptacle is connected to a light switch which turns power off when you turn out the lights.c) Move charger and tool to a surrounding air temperature of above 40°F (4.5°C) or below 105°F (40.5°C).

Accessories

⚠️ WARNING! ALWAYS use only authorized Snow Joe® + Sun Joe® replacement parts and accessories. NEVER use replacement parts or accessories that are not intended for use with this cordless screwdriver. Contact Snow Joe® + Sun Joe® if you are unsure whether it is safe to use a particular replacement part or accessory with your cordless screwdriver. The use of any other attachment or accessory can be dangerous and could cause injury or mechanical damage.

Accessories	Item	Model
<p>①</p> 	Flexible Bit Extender	PJ4SDFLX-EXT
<p>②</p> 	11 pcs of 25 mm Driver Bits (With Bit Holder)	PJ4SDFLX-BITS
<p>③</p> 	Lithium-ion Battery Charger	PJ4SDFLX-CHRG

NOTE: Accessories are subject to change without any obligation on the part of Snow Joe® + Sun Joe® to provide notice of such changes. Accessories can be ordered online at snowjoe.com or via phone by contacting the Snow Joe® + Sun Joe® customer service center at 1-866-SNOWJOE (1-866-766-9563).



SNOW JOE® + SUN JOE® REFURBISHED GOODS WARRANTY

GENERAL CONDITIONS:

Snow Joe® + Sun Joe® operating under Snow Joe®, LLC warrants this refurbished product to the original purchaser for 90 days against defects in material or workmanship when used for normal residential purposes. If a replacement part or product is needed, it will be sent free of charge to the original purchaser except as noted below.

The duration of this warranty applies only if the product is put to personal use around the household. It is the owner's responsibility to correctly perform all maintenance and minor adjustments explained in the owner's manual.

HOW TO OBTAIN YOUR REPLACEMENT PART OR PRODUCT:

To obtain a replacement part or product, please visit snowjoe.com/help or email us at help@snowjoe.com for instructions. Please be sure to register your unit beforehand to speed up this process. Certain products may require a serial number, typically found on the decal affixed to the housing or guard of your product. All products require a valid proof of purchase.

EXCLUSIONS:

- Wearing parts like belts, augers, chains and tines are not covered under this warranty. Wearing parts can be purchased at snowjoe.com or by calling 1-866-SNOWJOE (1-866-766-9563).
- Batteries are covered in full for 90-days from the date of purchase.

Snow Joe® + Sun Joe® may from time to time change the design of its products. Nothing contained in this warranty shall be construed as obligating Snow Joe® + Sun Joe® to incorporate such design changes into previously manufactured products, nor shall such changes be construed as an admission that previous designs were defective.

This warranty is intended to cover product defects only. Snow Joe®, LLC is not liable for indirect, incidental or consequential damages in connection with the use or misuse of the Snow Joe® + Sun Joe® products covered by this warranty. This warranty does not cover any cost or expense incurred by the purchaser in providing substitute equipment or service during reasonable periods of malfunction or non-use of this product while waiting for a replacement part or unit under this warranty. Some states do not allow exclusions of incidental or consequential damages so the above exclusions may not apply in all states. This warranty may give you specific legal rights in your state.

HOW TO REACH US:

We're here to help Monday through Friday from 9AM to 7PM EST and Saturday and Sunday 9AM to 4PM. You can reach us at 1-866-SNOWJOE (1 866-766-9563), online at snowjoe.com, via email at help@snowjoe.com or tweet us @snowjoe.

EXPORTS:

Customers who have purchased Snow Joe® + Sun Joe® products exported from the United States and Canada should contact their Snow Joe® + Sun Joe® distributor (dealer) to obtain information applicable to your country, province or state. If for any reason, you are not satisfied with the distributor's service, or if you have difficulty obtaining warranty information, contact your Snow Joe® + Sun Joe® seller. If in the event your efforts are unsatisfactory, please reach out to us directly.



A series of 20 horizontal lines spaced evenly down the page, providing a template for writing.



snowjoe.com